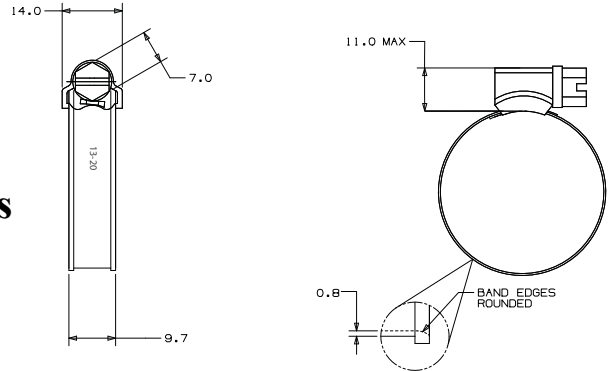


## Compact “HD NON-PERF” Clamp

All 316 Stainless Steel Hose Clamp  
Non-Perforated with Rolled Edges – Single Piece Housing



# 705 Series



**Premium Marine Grade, all AISI 316 (high tensile strength) Stainless Steel Compact “HD NON-PERF” Worm Gear Hose Clamp. The 9.7 mm (0.382”) wide band is Non-Perforated and Smooth on the inside with Rolled Edges. This eliminates hose damage with increased clamping force. The High Strength, Compact, One Piece 14mm (0.55”) wide Housing provides one of the highest clamping force ratings of any worm gear style clamp. Screw Head is 7mm.**

**All this spells longer service life and safety for most general-purpose hose applications and connections.**

**Recommendations:**

- Measure hose O.D. before selecting clamp size for proper fit.
- Double clamp on each hose end for critical applications.

**3-Year Warranty.**

**Specifications:**

Trident Part No.	SAE size	HOSE I.D. Inches	CLAMPING RANGE Inches	mm	Recommended Torque Inch lbs
705-0140	3	3/16 – 1/4	5/16 – 9/16	8-14	25-35
705-0560	4	1/4 – 5/16	7/16 – 21/32	11-17	“
705-0380	6	5/16 – 3/8	11/32 – 25/32	13-20	“
705-0120	8	3/8 – 1/2	5/8 – 15/16	15-24	“
705-0580	10	1/2 – 5/8	3/4 – 1 1/8	19-28	“
705-0340	12	5/8 – 3/4	7/8 – 1 1/4	22-32	“
705-1000	16	7/8 – 1	1 1/16 – 1 1/2	26-38	35-45
705-1140	20	1 – 1 1/4	1 1/4 – 1 3/4	32-44	“
705-1380	24	1 5/16 – 1 3/8	1 1/2 - 2	38-50	“
705-1120	28	1 1/2 – 1 5/8	1 3/4 – 2 1/4	44-56	“

**Construction:** Swedish Std. SMS2298 - W5\*

**Band & Housing:** 316 Stainless Steel  
9.7 mm Wide Band – 0.8mm Thick  
**Screw Drive:** 316 Stainless Steel  
7.0 mm Screw Head

\* INTERNATIONAL MATERIALS STANDARD