

Sealed Against Dust & Water Intrusion to ensure reliable circuit protection for the life of the electrical system installation.

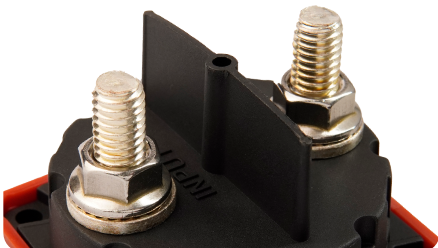
Ignition Protected

Safe for installation in closed compartments with potential explosive gases.

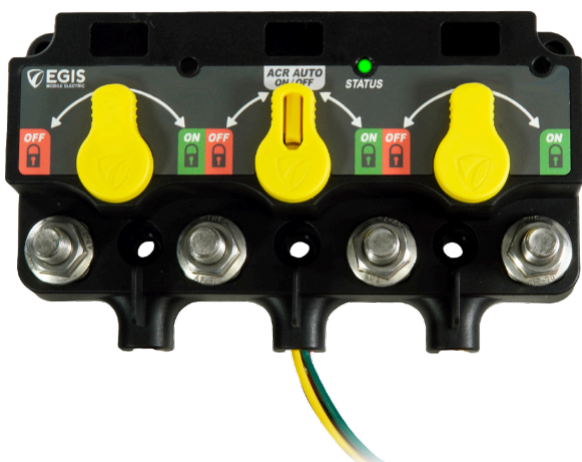
Serrated Flange Lock Nuts improves resistance to cable terminal loosening in high-vibration environments.

Flexible Mounting Options allow for multiple mounting configurations and a variety of installation types.

Harsh Environment Design with stainless-steel hardware, serrated flange nuts, and high temperature materials.



Related Product: XD Series Add-A-Battery System



Isolates Electrical Loads from batteries when electrical system is not in use, ensuring current draw from load side of switches is eliminated.



Simple Battery Control Operation allows connecting, isolating, and combining of up to two batteries with one switch.

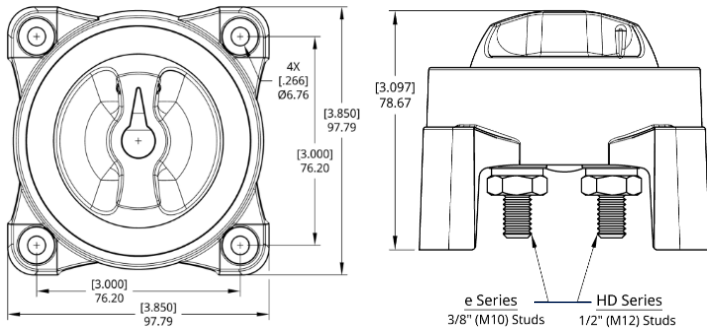


Bullet-proof Construction: Stainless-steel hardware, tin-plated copper, and high-temp materials support harsh environment applications.

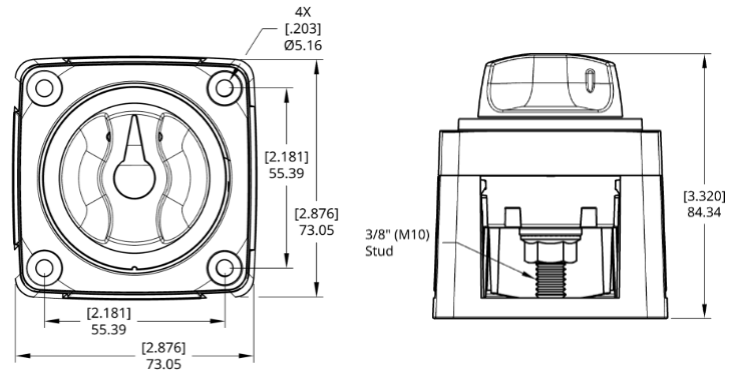


4 Year Industry Leading Warranty

e-Series and HD-Series



m-Series



e-Series Specifications

Maximum Voltage (Single Circuit)	48 Vdc
Maximum Voltage (Selector / Dual Circuit)	32 Vdc
Stud/Thread Size	3/8"-16
Terminal Stud Torque	140 in-lbs (15.8 N-m)
Ring Terminal Size Acceptance	3/8" (M10)
Mounting Holes	1/4" (M6) Screw
Live Switching Rating	25 Amps
Ignition Protection Rating	SAE J1171 / ISO 8846
Includes Alternator Field Disconnect (AFD)	PN 2402 Only
Panel/Bulkhead Mount Hole Size	3-5/8" Diameter
Cable Size to Meet Rating	4/0 AWG

Amperage Ratings By Part Number - 30sec / 5min / Continuous

Part Number: 2401	1200 / 600 / 350 Amps
Part Number: 2402	1200 / 600 / 350 Amps
Part Number: 2403	1200 / 600 / 350 Amps
Part Number: 2410	700 / 525 / 350 Amps
Part Number: 2411	700 / 525 / 350 Amps

HD-Series Specifications

Maximum Voltage	32 Vdc
Stud/Thread Size	M12x1.75
Terminal Stud Torque	220 in-lbs (24.9 N-m)
Ring Terminal Size Acceptance	M12 / 1/2"
Mounting Holes	1/4" (M6) Screw
Switching Rating	25 Amps
Ignition Protection Rating	SAE J1171 / ISO 8846
Panel/Bulkhead Mount Hole Size	3-5/8" Diameter
Cable Size to Meet Rating	2x 4/0 AWG per side (4x total)

Amperage Ratings By Part Number - 30sec / 5min / Continuous

Part Number: 2500	1750 / 900 / 500 Amps
Part Number: 2502	1600 / 700 / 400 Amps

m-Series Specifications

Maximum Voltage (Single Circuit)	48 Vdc
Maximum Voltage (Selector / Dual Circuit)	32 Vdc
Stud Size And Thread	3/8"-16
Terminal Stud Torque	120 in-lbs (13.6 N-m)
Ring Terminal Size Acceptance	3/8" (M10)
Mounting Holes	#10 Screw
Live Switching Rating	25 Amps
Ignition Protection Rating	SAE J1171 / ISO 8846
Bulkhead / Panel - Mounting Hole Size	2-5/8" / 2-5/16"
Cable Size to Meet Rating	4/0 AWG

Amperage Ratings By Part Number - 30sec / 5min / Continuous

Part Number: 2305	900 / 500 / 300 Amps
Part Number: 2306	900 / 500 / 300 Amps
Part Number: 2306-200	900 / 500 / 300 Amps
Part Number: 2307	900 / 500 / 300 Amps
Part Number: 2308	900 / 500 / 300 Amps
Part Number: 2310	675 / 450 / 300 Amps
Part Number: 2311	675 / 450 / 300 Amps
Part Number: 2311-200	675 / 450 / 300 Amps

Related Part Numbers

	Retail Pack	Bulk Pack
m-Series Battery Switch, Key Single Circuit	2305	2305B
m-Series Battery Switch, Single Circuit	2306	2306B
m-Series Battery Switch, Single Circuit, Black	2306-200	2306-200B
m-Series Battery Switch, 4 Position Selector	2307	2307B
m-Series Battery Switch, Dual Circuit	2310	2310B
m-Series Battery Switch, Dual Circuit Plus	2311	2311B
m-Series Battery Switch, Dual Circuit Plus, Black	2311-200	2311-200B
e-Series Battery Switch, 4 Position Selector	2401	2401B
e-Series Battery Switch On/Off w/AFD	2402	2402B
e-Series Battery Switch On/Off	2403	2403B
e-Series Battery Switch, Dual Circuit	2410	2410B
e-Series Battery Switch, Dual Circuit Plus	2411	2411B
HD-Series Battery Switch, On/Off	2500	2500B
HD-Series Battery Switch, 4 Position Selector	2502	2502B

User Warning: These products are not meant to switch live loads over 25Amps. Ensure that the engine is turned off before switching the battery switch to off.

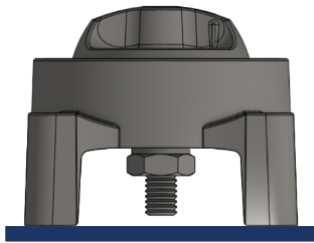


www.egismobile.com
360.768.1211
Bellingham, WA U.S.A

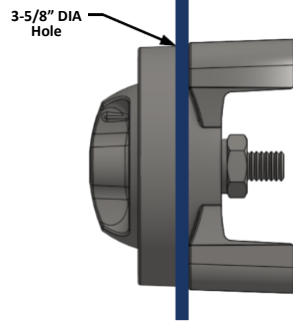


e-Series and HD-Series

Surface Mount



Panel/Bulkhead Mount

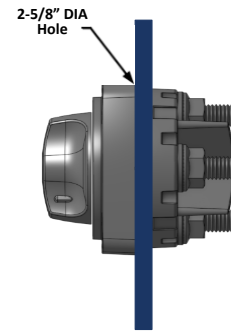


m-Series

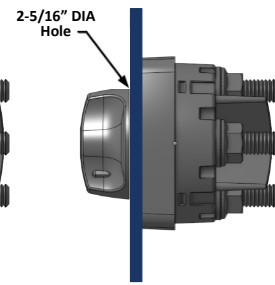
Surface Mount



Bulkhead Mount

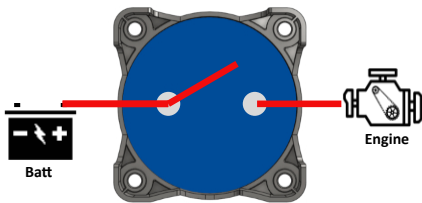


Panel Mount



Installation and Load Diagrams

Single Circuit



2 Position - ON/OFF Switch Controls a Single Circuit

Associated Part Numbers

2305

2306

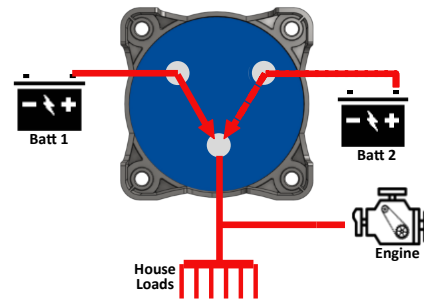
2306-200

2402

2403

2500

4 Position Selector



4 Position Switch Controls Which Battery (or both) Supplies a Single Output

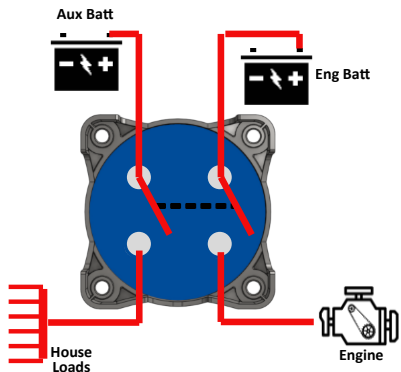
Associated Part Numbers

2307

2401

2502

Dual Circuit



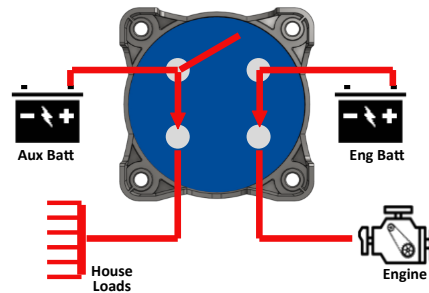
2 Position - ON/OFF Switch Controls Two Independent Circuits

Associated Part Numbers

2310

2410

Dual Circuit Plus



3 Position ON/OFF Switch Controls Two Circuits, With the Option To Combine Batteries

Associated Part Numbers

2311

2311-200

2411

Related Products - XD Relay Battery Management

XD Series - Remote Battery Switches and VSRs



Competitive Advantages

- Remote switching allows switching from the helm.
- Intelligent battery charge management allows charging and isolation with zero operator intervention.
- Can be placed directly next to batteries, resulting in heavy duty cable cost and weight savings.
- Modular for easy battery and engine expansion.
- NMEA compatible remote switching available.